



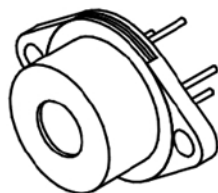
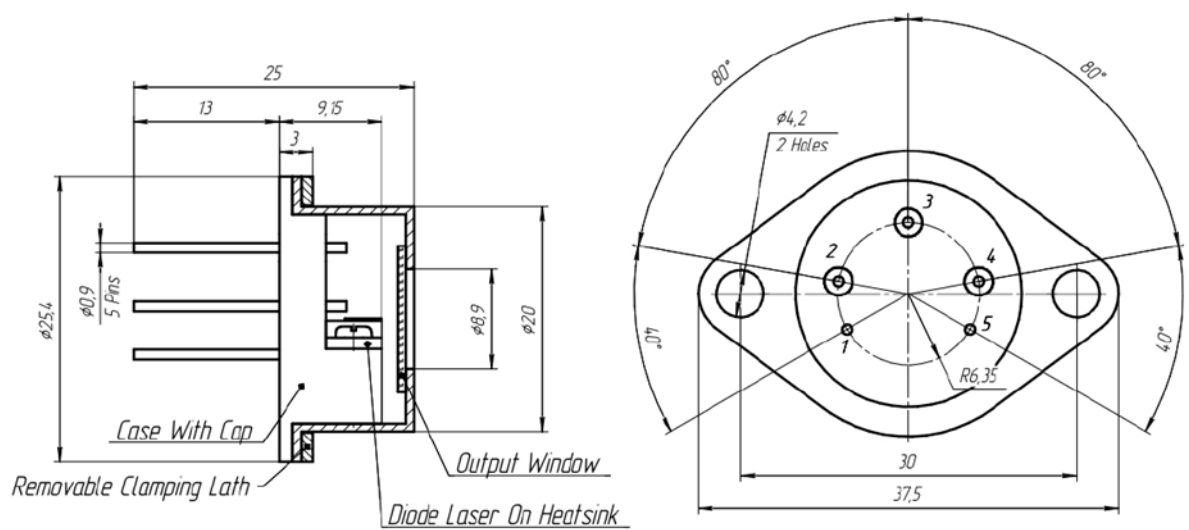
PRODUCT DATA SHEET

Laser Diode (TO-3 package)

Model FB-M1300-2000TO3

Specification	Symbol	Typical	Unit
Laser Emitter			
Peak Wavelength	λ_{op}	1300±10	nm
CW Optical Output Power	P_{op}	2	W
Operation Current	I_{op}	<6	A
Operation Voltage	U_{ld}	1.2±0.1	V
Threshold Current	I_{th}	<0.65	A
Beam Divergence (FWHM)	$\theta_{ }$	10±1	degree
Beam Divergence (FWHM)	θ_{\perp}	1	degree
Spectrum Half-Width (FWHM)	$\Delta\lambda$	<7	nm
Emitting Area	$W \times d$	100x1	$\mu\text{m} \times \mu\text{m}$
Operation Mode	-	CW, QCW, Pulse ($\tau > 5\text{ns}$)	-
Operation Temperature	T_{op}	25	degree
Photo Diode Monitor			
PD Monitor Current		1-1000	μA
PD Reverse Voltage		9	V
Wavelength Temperature Coefficient	$\Delta\lambda/\Delta T$	4.5±0.5	$\text{\AA}/\text{degree}$
Operation Current Temperature Coefficient	$\Delta I/\Delta T$	15±5	mA/degree
Operation Temperature Range		-20... +40	degree
Storage Temperature Range		-40... +80	degree

Drawings:



1, 5	LD +
2	PD +
3	PD -
4	LD -